

MEIDE Valve



Basket Type Strainer VL4R

Feature: Quick Release Cover

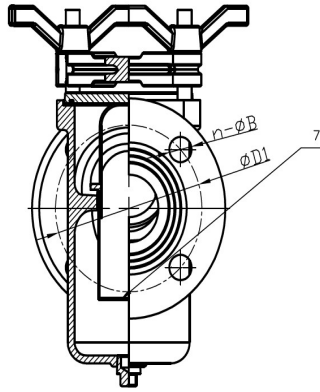
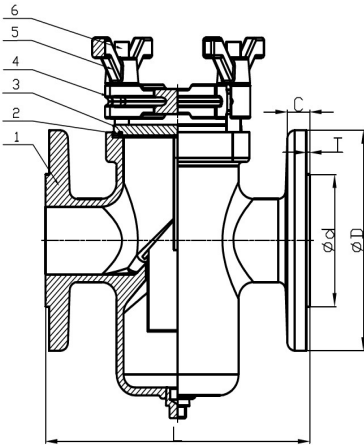
Connection Ends: Flange to BS EN1092-2

Working Pressure: PN16

Temperature Range: $\leq 80^{\circ} \text{C}$

Coating Fusion Bonded Epoxy Coating with BS6920

Application: Fresh Water Plumbing Systems, Flushing Water Plumbing Systems and Fresh Water Fire Services Systems



Material Specification

Part No	Part	Standard Specification
1	Valve Body	BS EN 1563 EN-GJS-450-10
2	O-Ring	EPDM
3	Cover Clamp	SS316 + Epoxy Powder Coating (WEY-Blue)
4	Clamp bar	SS316
5	Wing Nut	SS316
6	Stud	SS316
7	Screen	SS316
8	Plug	SS316

Note: Other option of the parts could be available, please inquiry before order.

DN		PN	Dimensions (mm)								
Inch	mm		L	D	D1	d	C	T	n	B	
2"	50	16	207	165	125	100	19	3	4	19	
2.5"	65	16	210	185	145	120	19	3	4	19	
3"	80	16	251	200	160	135	19	3	8	19	
4"	100	16	292	220	180	156	19	3	8	19	
6"	150	16	378	285	240	212	19	3	8	23	
8"	200	16	475	340	295	268	20	3	12	23	