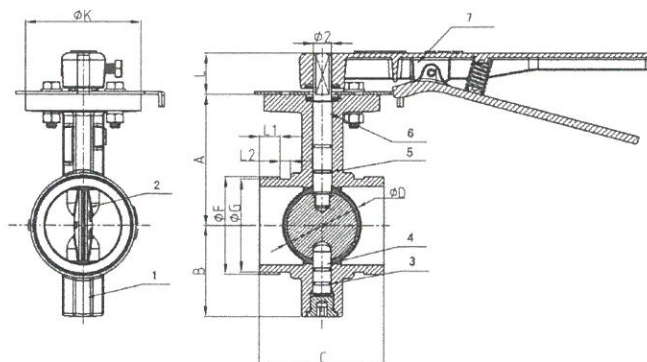
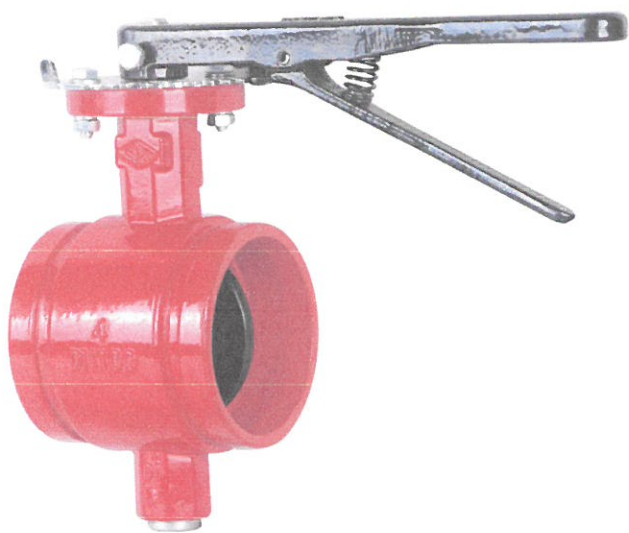
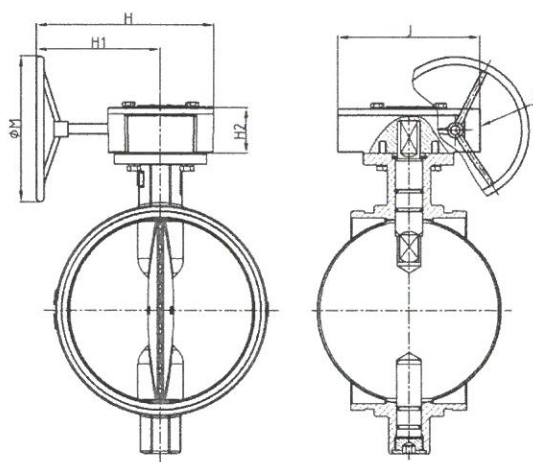
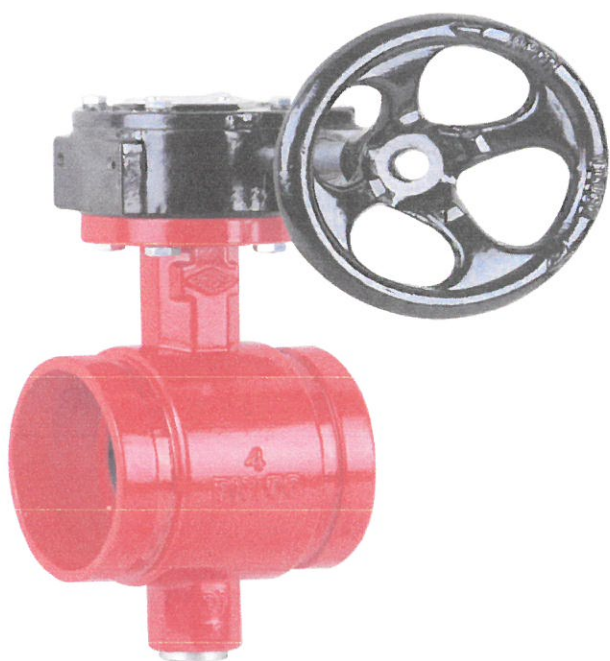


# MEIDE VALVE

D81X4



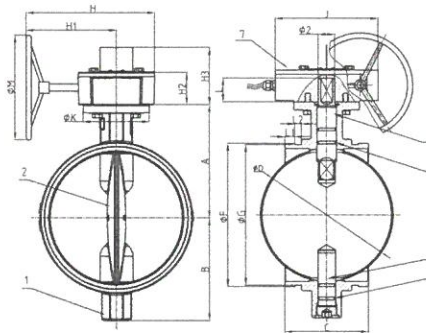
D381X4



JINAN MEIDE CASTING CO., LTD.

# MEIDE VALVE

## XD381X4



\*Standard: EN12266-1

\*Working Pressure: PN10 / PN16

\*Working Temperature: Rubber seal 0-80°C

\*Coating: Fusion Bonded Epoxy Coating complies with BS6920

\*Application: Potable water, Water Distribution Service & Feed lines, Sewage Disposal, Irrigation and Fire Protection Pipe System etc.

\*Available size: DN50, 65, 80(75), 100, 150, 200, 250 and 300mm

Part No.	Part	Material
1	Valve Body	Ductile Iron EN-GJS-450-10
2	Disc	EPDM + EN-GJS-450-10
3	O-Ring	EPDM
4	Stem	431S29
5	O-Ring	EPDM
7	Lever	EN-GJS-450-10
8	(Signal ) Gear Box	EN-GJS-450-10



# JINAN MEIDE CASTING CO., LTD.