



Meide Archung Group Co.,Ltd

Add:14th Floor, Happiness City Commercial Building, Heping East Road,
Longhua District, Shenzhen
Tel: 0755-29305666 8419 3851 8419 3852
Fax: 0755-8419 6839
Web: www.archung.com
Email: nu@chinaycnu.com



(2022-04)



MEIDE ARCHUNG PIPE HANGERS & SUPPORTS



COMPANY PROFILE

Meide Archung Group Co., Ltd. is a national high-tech enterprises which was established in 2003. The company is mainly engaged in the R&D, manufacture, sales and services of stainless steel water pipe, gas pipeline, bracket, seismic stabilizer bracket, utility tunnel system and such mechanical and electrical products. Meide Archung has founded two modern production bases. One is located in Deqing, Guangdong Province ,with one hundred acres;the other is located in Hebi, Henan Province with 150 acres.

Meide Archung has established a professional technical team for product development and production since 2000. In 2001, Meide Archung has invented a new generation of double-press extrusion pipe fittings on independent innovation, making the company become the first one who successfully applies the R&D achievements into projects. The company owns independent intellectual property of it. Meide Archung is the drafter and participator of national standard (chief editor of seven national standard and editor of thirteen national standard). Meide Archung also owns thirty-six technical patents which are insured by China Taiping Insurance Group Ltd..

Nowadays, people have a higher requirement standard on architecture's safety and design along with the development of construction industry. The apply of seismic support&hanger and pre-buried channel are now getting more and more popular. In 2015, Meide Archung has developed a professional team to engaged in the R&D and manufacture in seismic support&hanger and pre-buried channel for this purpose.

After years of technical accumulation and the application of thousands projects, Meide Archung is awarded as the National High-Tech Enterprise of China, the National Outstanding Contribution Enterprises and the High-Tech Enterprise of Shenzhen City. The company is also awarded as AAA+ Class China Quality Credit Enterprises, AAA Class Enterprise Credit, China Industry Famous Brand, Top 500 quality in China, Top 10 quality brands in Chinese industry and and other honorary titles by provincial, municipal governments.



PROFESSIONAL CASTING QUALITY

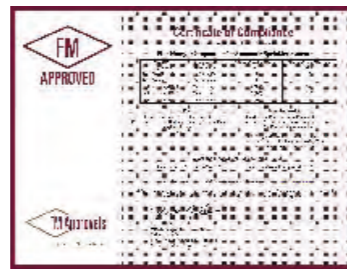
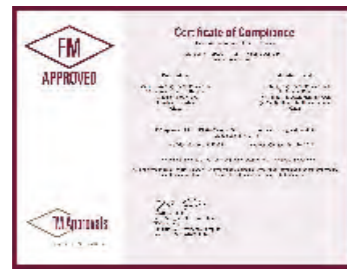
ADVANTAGES:

1. Automatic production line, standardized manufacture process;
2. Using thermalanchoring technology, the pull-off force of single nail $\geq 29\text{KN}$.
3. Using machine to weld, quality assurance, beautiful welding seam;
4. Using special machine to produce standard product;
5. Complete testing equipments to ensure the physical properties of raw materials, finished products and semi-finished products;
6. Automatic hot-dip production line guarantees the coating quality of the product.



Qualification Honors

Meide Archung adhere to the principle of honest management, quality first, service first, with practical actions, 13 years of accumulation has been recognized by the industry and authorities, has won a lot of honors. In the future, Meide Archung will stick to the original intention, continue to work hard, with technical strength as the guarantee, will provide high quality products, best quality service to the community and our customers.



Quality Inspection

In order to ensure the fairness and authority of the product quality inspection results, products of Meide Archung are irregularly inspected by national testing institution to guide the stability and improvement of product quality. The main test contents are: compression resistance, tensile strength, shear performance, salt spray anti-corrosion testing, fire proof performance testing, material testing, etc. The inspection results show that Meide Archung's products have reached or exceeded the relevant standards.



>> Product applications and services

Product performance of finished bracing

The finished bracing is a popular form of mechanical and electrical product in modern building construction. It replaces the traditional angled iron support, and the factory prefabricated type channel and various connecting pieces, which are assembled at the construction site. It is mainly used in the comprehensive arrangement and installation of mechanical and electrical engineering facilities such as building water supply and drainage, fire control, heat supply, ventilation, air conditioning, gas, heat, and strong and weak electricity.

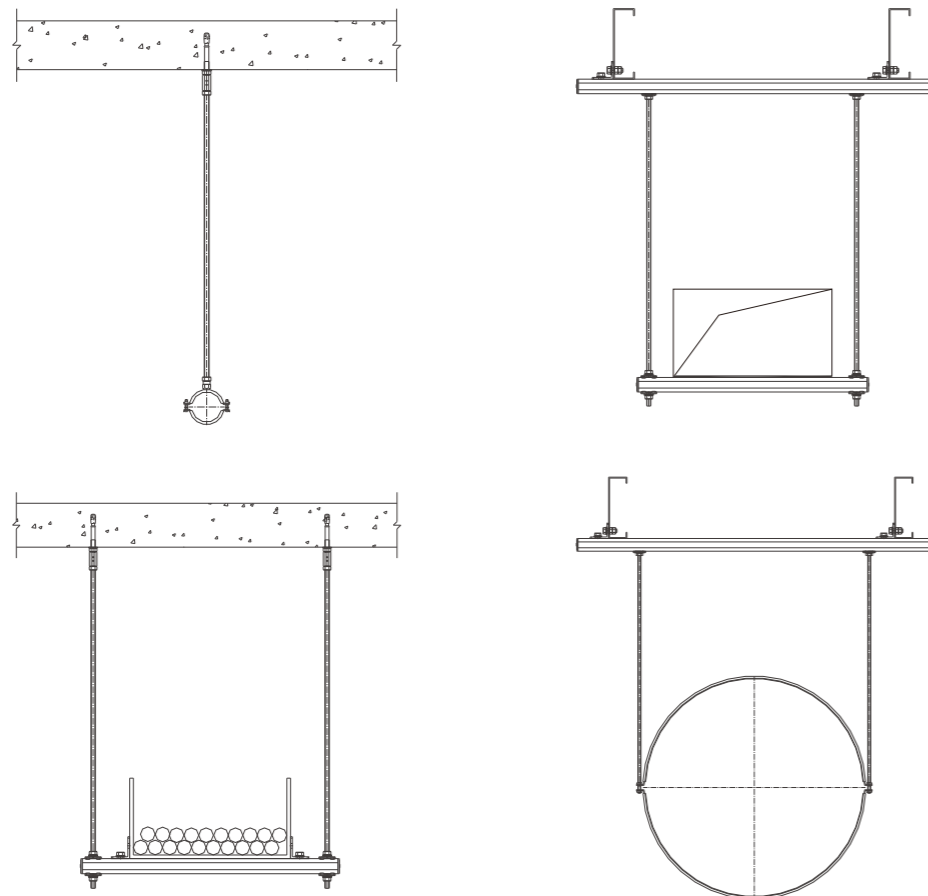
The finished bracing of Meida Archung has the following characteristics:

1. Serrations on the edge of the channel make it to be shear resistant, slip resistant, shock resistant
2. Using Q235B material, the surface is galvanized to resist corrosion, and has long service life.
3. The thickness of galvanized zinc layer is more than 10um, and the thickness of hot galvanized zinc layer is more than 65um.
4. Prefabrication of finished products; assembly at construction site, can be secondarily dismantled and altered or reused.
5. Flexible assembly, no welding or drilling required, saving labor force and time
6. Tested by professional testing institution; reliable quality
7. By design integration, the support is evenly distributed, saving space, and has a fashion beauty

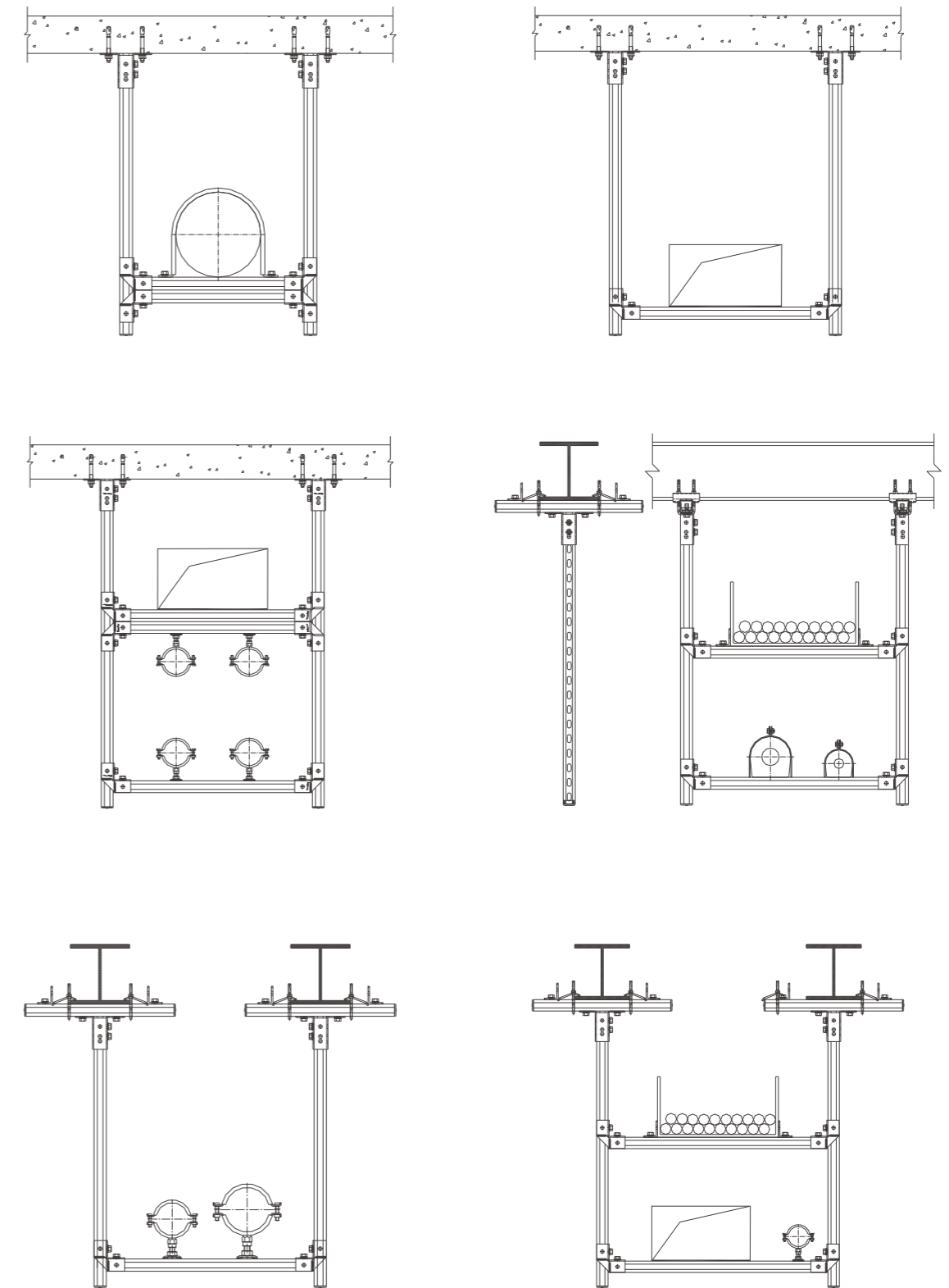
Technical Services

Meide Archung's excellent technical team provides professional technical consultation, secondary deepening of construction drawings, comprehensive arrangement of pipeline supports, load calculation of the supporting system, optimization of the bill of materials, and complete tracking of the construction process to ensure the successful installation and delivery of the finished mechanical and electrical support system

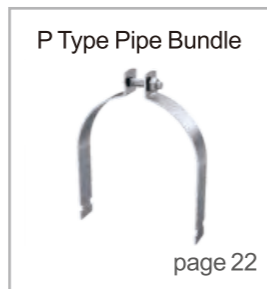
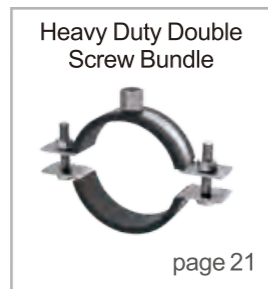
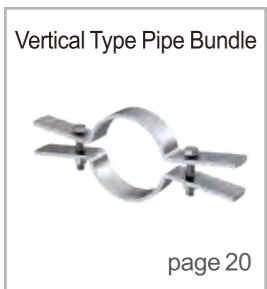
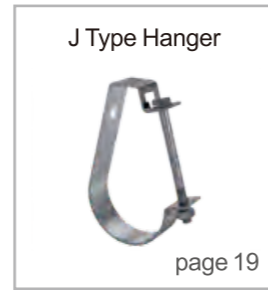
>> Schematic diagram of flexible finished bracing



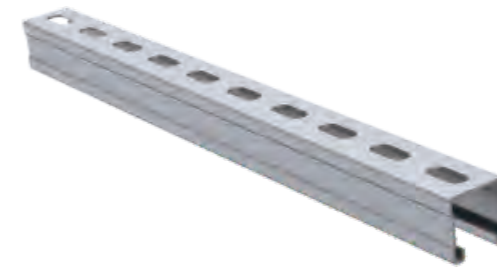
>> Schematic diagram of rigid finished bracing



Product Catalog



Single-Sided Channel



- Single-Sided Channel
- Material: Carbon Steel
- Finish: Standard - Pre-Galvanized Sheet - Hot Dipped Galvanized

Single-Sided Channel Galvanized Sheet				
Product Name	Specification/mm	Wall Thickness/mm	Standard Length/m	Kg/m
Single-Sided Channel-21 6m	41/21	2	6	1.48
Single-Sided Channel-41 6m	41/41	2	6	2.07
Single-Sided Channel-62 6m	41/62	2.5	6	3.34
Single-Sided Channel Hot-dip Galvanized				
Product Name	Specification/mm	Wall Thickness/mm	Standard Length/m	Kg/m
Single-Sided Channel-21 6m	41/21	2	6	2.96
Single-Sided Channel-41 6m	41/41	2	6	4.14
Single-Sided Channel-62 6m	41/62	2.5	6	6.68

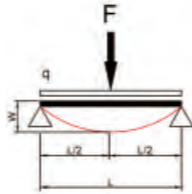
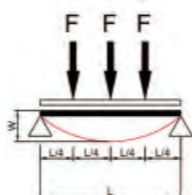
Double-Sided Channel




- Double-Sided Channel
- Material: Carbon Steel
- Finish: Standard – Electro Zinc Plated Option – Hot Dipped
- Galvanized

Double-Sided Channel Hot-Dip Galvanized				
Product Name	Specification/mm	Wall Thickness/mm	Standard Length/m	Kg/m
Double-Side Channel-21S 6m	41/21S	2	6	3.3
Double-Side Channel-41S 6m	41/41S	2	6	5.3
Double-Side Channel-62S 6m	41/62S	2.5	6	8.06

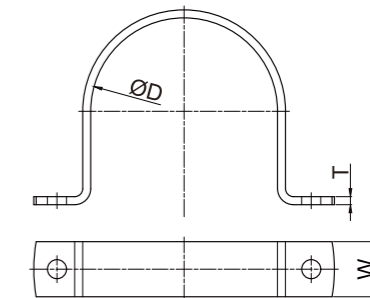
CHANNEL PARAMETERS TABLE

Mode	Maximum deformation /mm	Length /mm	Load/kN					
			41/21/2.0	41/41/2.0	41/21S/2.0	41/62/2.5	41/41S/2.0	41/62S/2.5
			Load/kN					
Single Point Load  The load is loaded in the middle of the channel steel and the load capacity is 0.8kN The length of channel shall be 1500mm Applicable to all channel of midrange system"	1.3	250	3.40	9.35	10.07	19.23	27.87	62.12
	2.5	500	1.70	4.67	5.03	9.62	13.93	31.06
	3.8	750	1.13	3.12	3.36	6.41	9.29	20.71
	5.0	1000	0.67	2.34	2.52	4.81	6.97	15.53
	6.3	1250	0.43	1.87	2.01	3.85	5.57	12.42
	7.5	1500	0.30	1.47	1.66	3.21	4.64	10.36
	8.8	1750	0.22	1.08	1.22	2.75	3.98	8.87
	10.0	2000	0.17	0.83	0.93	2.40	3.48	7.77
	11.3	2250	0.13	0.65	0.74	2.03	3.10	6.90
	12.5	2500	0.11	0.53	0.60	1.64	2.79	6.21
	13.8	2750	0.09	0.44	0.49	1.36	2.53	5.65
	15.0	3000	0.07	0.37	0.41	1.14	2.14	5.18
	16.3	3250	0.06	0.31	0.35	0.97	1.82	4.78
	17.5	3500	0.05	0.27	0.30	0.84	1.57	4.44
	18.8	3750		0.24	0.27	0.73	1.37	4.14
	20.0	4000		0.21	0.23	0.64	1.20	3.88
	21.3	4250		0.18	0.21	0.57	1.07	3.60
	22.5	4500		0.16	0.18	0.51	0.95	3.21
	23.8	4750		0.15	0.17	0.46	0.85	2.88
	25.0	5000		0.13	0.15	0.41	0.77	2.60
26.3	5250		0.12	0.14	0.37	0.70	2.36	
27.5	5500		0.11	0.12	0.34	0.64	2.15	
28.8	5750		0.10	0.11	0.31	0.58	1.97	
30.0	6000		0.09	0.10	0.29	0.54	1.81	
Three Point Load  The load is loaded in the middle of the channel steel and the load capacity is 1kN The length of channel shall be 2000mm Applicable to all channel of midrange system"	1.3	250	1.90	4.91	5.03	10.00	13.93	31.06
	2.5	500	0.95	2.46	2.52	5.00	6.97	15.53
	3.8	750	0.50	1.64	1.68	3.33	4.64	10.35
	5.0	1000	0.26	1.23	1.26	2.5	3.48	7.76
	6.3	1250	0.18	0.89	1.00	2	2.78	6.21
	7.5	1500	0.12	0.62	0.70	1.67	2.32	5.17
	8.8	1750	0.09	0.45	0.51	1.41	1.99	4.43
	10.0	2000	0.07	0.35	0.39	1.08	1.74	3.88
	11.3	2250	0.05	0.27	0.31	0.85	1.54	3.45
	12.5	2500	0.04	0.22	0.25	0.69	1.30	3.10
	13.8	2750	0.04	0.18	0.21	0.57	1.07	2.82
	15.0	3000	0.03	0.15	0.17	0.48	0.90	2.58
	16.3	3250	0.03	0.13	0.15	0.41	0.77	2.38
	17.5	3500	0.02	0.11	0.13	0.35	0.66	2.21
	18.8	3750	0.02	0.10	0.11	0.31	0.58	1.95
	20.0	4000	0.02	0.09	0.10	0.27	0.51	1.71
	21.3	4250		0.08	0.09	0.24	0.45	1.52
	22.5	4500		0.07	0.08	0.21	0.40	1.35
	23.8	4750		0.06	0.07	0.19	0.36	1.21
	25.0	5000		0.05	0.06	0.17	0.32	1.09
26.3	5250		0.05	0.06	0.16	0.29	0.99	
27.5	5500		0.04	0.05	0.14	0.27	0.90	
28.8	5750		0.04	0.05	0.13	0.24	0.83	
30.0	6000		0.04	0.04	0.12	0.22	0.76	

CHANNEL PARAMETERS TABLE

Mode		41/21/2.5	41/41/2.5	41/21S/2.5	41/62/2.5	41/41S2.5	41/62S/2.5		
Distributed Load  1.The load is loaded in the middle of the channel steel and the load capacity is 1KN/m 2.The length of channel shall be 1500mm 3.Applicable to all channel of midrange system*	Galvanization								
	Galvanized sheet	Length/mm							
		2000							
		3000							
	Hot galvanizing	Length/mm							
		2000							
		3000							
	Maximum deformation /mm Length/mm			Distributed Load/ kN/m					
		1.3	250	27.24	74.79	80.52	153.87	222.92	496.98
		2.5	500	6.81	18.70	20.13	38.47	55.73	124.25
		3.8	750	2.51	8.31	8.95	17.10	24.77	55.22
		5	1000	1.05	4.67	5.03	9.62	13.93	31.06
		6.3	1250	0.53	2.69	3.03	6.15	8.92	19.88
		7.5	1500	0.30	1.54	1.74	4.27	6.19	13.81
		8.8	1750	0.18	0.96	1.08	3.03	4.55	10.14
10		2000	0.12	0.64	0.71	2.01	3.48	7.77	
11.3		2250	0.08	0.44	0.49	1.40	2.65	6.14	
12.5		2500	0.05	0.31	0.35	1.01	1.92	4.97	
13.8		2750	0.03	0.23	0.25	0.75	1.43	4.11	
15		3000	0.02	0.17	0.19	0.57	1.09	3.45	
Thickness of the Channel T/mm		2.5	2.5	2.5	2.5	2.5	2.5		
Delivery Length L/m		2.0/3.0/6.0	2.0/3.0/6.0	3.0/6.0	6.0	3.0/6.0	6.0		
Weight Kg/m		1.65	2.65	3.30	4.03	5.30	8.06		
Opening Width / mm		22	22	22	22	22	22		

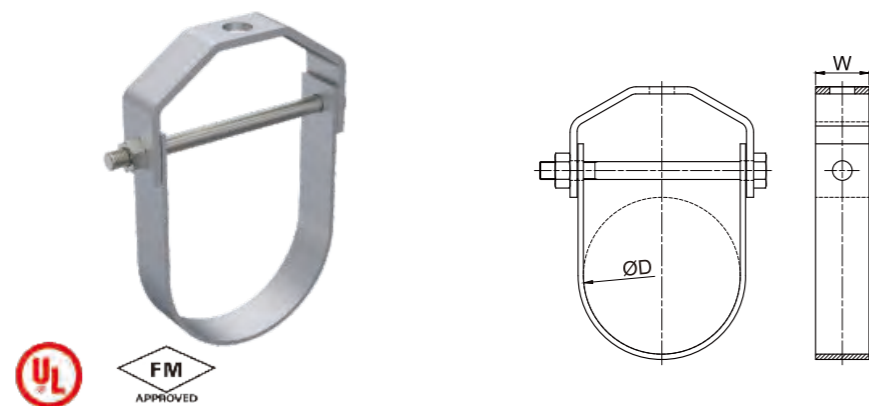
Ohm Pipe Bundle



- Ohm Pipe Bundle
- Material: Carbon Steel
- Finish: Standard – Electro Zinc Plated Option – Hot Dipped Galvanized
- UL Approved
- Comply with Federal Specification WW-H-171E and American Manufactures Standardization Society MSS SP-69&SP58

Product Name	Specification		Clamping Range	Size
	Inch	DN		
Ohm Pipe Bundle	1/2"	15	21.3	40×3.25
	3/4"	20	26.9	40×3.25
	1"	25	33.7	40×3.25
	1-1/4"	32	42.4	40×3.25
	1-1/2"	40	48.3	40×3.25
	2"	50	60.3	40×6
	2-1/2"	65	76.1	40×6
	3"	80	88.9	40×6
	3-1/2"	90	101.6	40×6
	4"	100	114.3	40×6
	5"	125	139.7	40×6
	6"	150	168.3	40×6
	8"	200	219.1	40×6
10"	250	273	40×8	
12"	300	323.9	40×8	

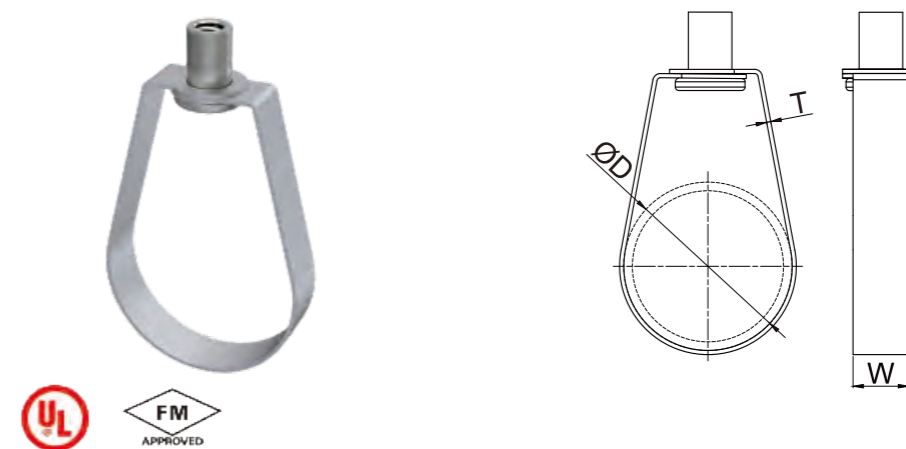
U Type Pipe Bundle



- U Type Pipe Bundle
- Material: Carbon Steel
- Finish: Standard – Electro Zinc Plated Option – Hot Dipped Galvanized
- UL Approved
- Comply with Federal Specification WW-H-171E and American Manufactures Standardization Society MSS SP-69&SP58

Product Name	Specification		Clamping Range	Rod Size		Bolt	
	Inch	DN		mm	Inch	mm	Inch
U Type Tube Bundle	1/2"	15	21.3	3/8"	M6	1/4"-20UNC	
	3/4"	20	26.7	3/8"	M6	1/4"-20UNC	
	1"	25	33.4	3/8"	M6	1/4"-20UNC	
	1-1/4"	32	42.2	3/8"	M6	1/4"-20UNC	
	1-1/2"	40	48.3	3/8"	M6	1/4"-20UNC	
	2"	50	60.3	3/8"	M6	1/4"-20UNC	
	2-1/2"	65	73	1/2"	M10	3/8"-16UNC	
	3"	80	88.9	1/2"	M10	3/8"-16UNC	
	3-1/2"	90	101.6	1/2"	M10	3/8"-16UNC	
	4"	100	114.3	5/8"	M10	3/8"-16UNC	
	5"	125	141.2	5/8"	M12	1/2"-13UNC	
	6"	150	168.3	3/4"	M12	1/2"-13UNC	
8"	200	219.2	7/8"	M16	5/8"-11UNC		
10"	250	273.1	7/8"	M18	3/4"-10UNC		
12'	300	323.9	7/8"	M18	3/4"-10UNC		

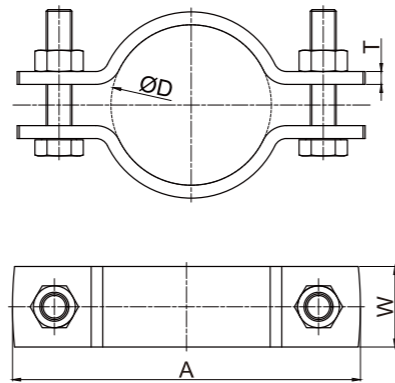
Ring Hanger



- Ring Hanger
- Material: Carbon Steel
- Finish: Standard – Electro Zinc Plated Option – Hot Dipped Galvanized
- UL Approved
- Comply with Federal Specification WW-H-171E and American Manufactures Standardization Society MSS SP-69&SP58

Product Name	Specification		Clamping Range	Rod Size	
	Inch	DN		mm	Inch
Ring Hanger	1/2"	15	21.3	M10	3/8"-16UNC
	3/4"	20	26.9	M10	3/8"-16UNC
	1"	25	33.7	M10	3/8"-16UNC
	1-1/4"	32	42.4	M10	3/8"-16UNC
	1-1/2"	40	48.3	M10	3/8"-16UNC
	2"	50	60.3	M10	3/8"-16UNC
	2-1/2"	65	76.1	M10	3/8"-16UNC
	3"	80	88.9	M10	3/8"-16UNC
	3-1/2"	90	101.6	M10	3/8"-16UNC
	4"	100	114.3	M10	3/8"-16UNC
	5"	125	139.7	M12	1/2"-13UNC
	6"	150	168.3	M12	1/2"-13UNC
8"	200	219.1	M12	1/2"-13UNC	
10"	250	273	M16	5/8"-11UNC	
12"	300	323.9	M16	5/8"-11UNC	

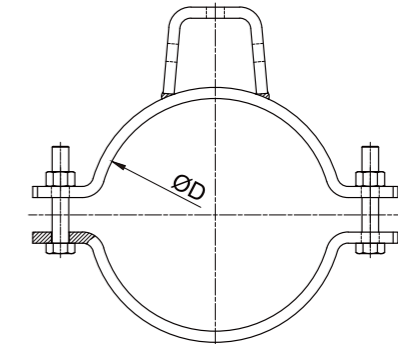
Vertical Type Pipe Bundle with Short Handle



- Vertical Type Pipe Bundle with Short Handle
- Material: Carbon Steel
- Finish: Standard – Electro Zinc Plated Option – Hot Dipped Galvanized
- UL Approved
- Comply with Federal Specification WW-H-171E and American Manufactures Standardization Society MSS SP-69&SP58

Product Name	Specification		Clamping Range	A(mm)	Bolt	
	Inch	DN			mm	mm
Vertical Type Pipe Bundle with Short Handle	1/2"	15	21.3	78	M8	5/16"-18UNC
	3/4"	20	26.9	81	M8	5/16"-18UNC
	1"	25	33.7	95	M8	5/16"-18UNC
	1-1/4"	32	42.4	99	M8	5/16"-18UNC
	1-1/2"	40	48.3	108	M8	5/16"-18UNC
	2"	50	60.3	138	M12	1/2"-13UNC
	2-1/2"	65	76.1	165	M12	1/2"-13UNC
	3"	80	88.9	185	M12	1/2"-13UNC
	3-1/2"	90	101.6	196	M12	1/2"-13UNC
	4"	100	114.3	226	M12	1/2"-13UNC
	5"	125	139.7	238	M12	1/2"-13UNC
	6"	150	168.3	264	M12	1/2"-13UNC
	8"	200	219.1	315	M12	1/2"-13UNC

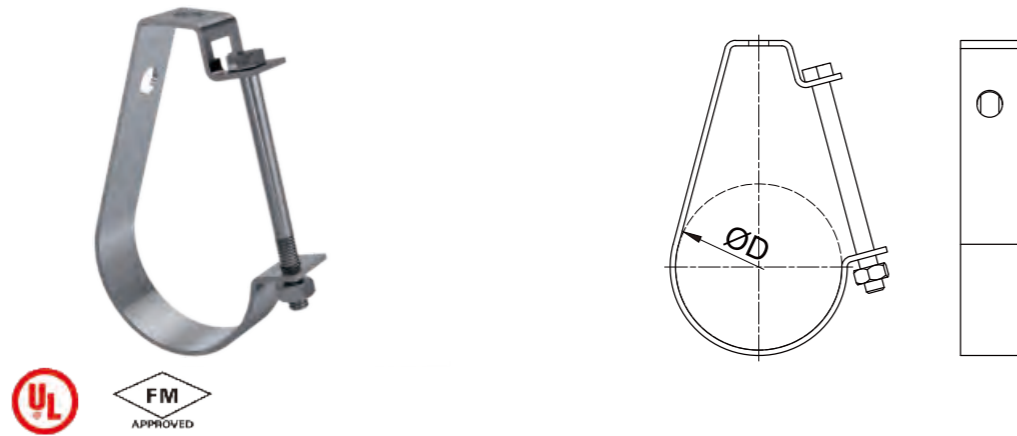
Pair Clamp



- Pair Clamp
- Material: Carbon Steel
- Finish: Standard – Electro Zinc Plated Option – Hot Dipped Galvanized
- UL Approved
- Comply with Federal Specification WW-H-171E and American Manufactures Standardization Society MSS SP-69&SP58

Product Name	Specification		Rod Size	Bolt	
	Inch	DN		mm	Inch
Pair Clamp	1/2"	15	3/8"	M8	5/16"-18UNC
	3/4"	20	3/8"	M8	5/16"-18UNC
	1"	25	3/8"	M8	5/16"-18UNC
	1-1/4"	32	3/8"	M8	5/16"-18UNC
	1-1/2"	40	3/8"	M8	5/16"-18UNC
	2"	50	3/8"	M10	3/8"-16UNC
	2-1/2"	65	3/8"	M10	3/8"-16UNC
	3"	80	3/8"	M10	3/8"-16UNC
	3-1/2"	90	3/8"	M10	3/8"-16UNC
	4"	100	3/8"	M10	1/2"-13UNC
	5"	125	1/2"	M10	1/2"-13UNC
	6"	150	1/2"	M10	1/2"-13UNC
	8"	200	1/2"	M10	1/2"-13UNC
	10"	250	5/8"	M12	1/2"-13UNC
	12"	300	5/8"	M12	1/2"-13UNC

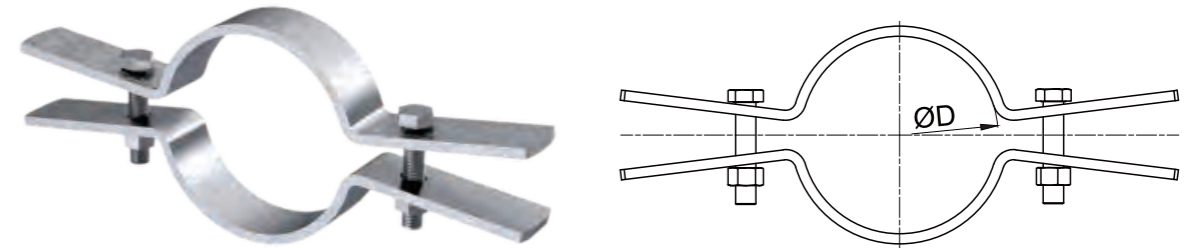
J Type Hanger



- J Type Hanger
- Material: Carbon Steel
- Finish: Standard – Electro Zinc Plated Option – Hot Dipped Galvanized
- UL Approved
- Comply with Federal Specification WW-H-171E and American Manufactures Standardization Society MSS SP-69&SP58

Product Name	Specification		Rod Size		Bolt	
	Inch	DN	Inch	mm	Inch	
J Type Hanger	1/2"	15	3/8"	M6	1/4"-20UNC	
	3/4"	20	3/8"	M6	1/4"-20UNC	
	1"	25	3/8"	M6	1/4"-20UNC	
	1-1/4"	32	3/8"	M6	1/4"-20UNC	
	1-1/2"	40	3/8"	M6	1/4"-20UNC	
	2"	50	3/8"	M6	1/4"-20UNC	
	2-1/2"	65	3/8"	M10	3/8"-16UNC	
	3"	80	3/8"	M10	3/8"-16UNC	
	3-1/2"	90	3/8"	M10	3/8"-16UNC	
	4"	100	3/8"	M10	3/8"-16UNC	
	5"	125	1/2"	M10	3/8"-16UNC	
	6"	150	1/2"	M10	3/8"-16UNC	
	8"	200	1/2"	M10	3/8"-16UNC	
	10"	250	5/8"	M10	3/8"-16UNC	
12"	300	5/8"	M10	3/8"-16UNC		

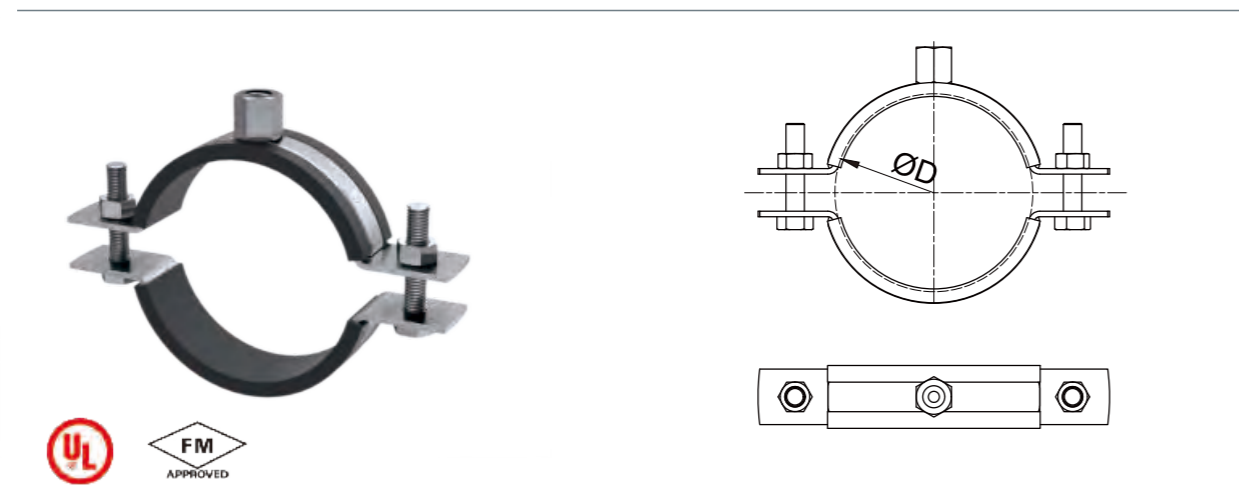
Vertical Type Pipe Bundle



- Vertical Type Pipe Bundle
- Material: Carbon Steel
- Finish: Standard – Electro Zinc Plated Option – Hot Dipped Galvanized
- UL Approved
- Comply with Federal Specification WW-H-171E and American Manufactures Standardization Society MSS SP-69&SP58

Product Name	Specification		ΦD	Bolt	
	Inch	DN	mm	mm	Inch
Vertical Type Pipe Bundle	1/2"	15	21.3	M8	5/16"-18UNC
	3/4"	20	26.9	M8	5/16"-18UNC
	1"	25	33.7	M8	5/16"-18UNC
	1-1/4"	32	42.4	M8	5/16"-18UNC
	1-1/2"	40	48.3	M8	5/16"-18UNC
	2"	50	60.3	M12	1/2"-13UNC
	2-1/2"	65	76.1	M12	1/2"-13UNC
	3"	80	88.9	M12	1/2"-13UNC
	3-1/2"	90	101.6	M12	1/2"-13UNC
	4"	100	114.3	M12	1/2"-13UNC
	5"	125	139.7	M12	1/2"-13UNC
	6"	150	168.3	M12	1/2"-13UNC
	8"	200	219.1	M16	1/2"-13UNC
	10"	250	273	M16	5/8"-11UNC
12"	300	323.90	M16	5/8"-11UNC	

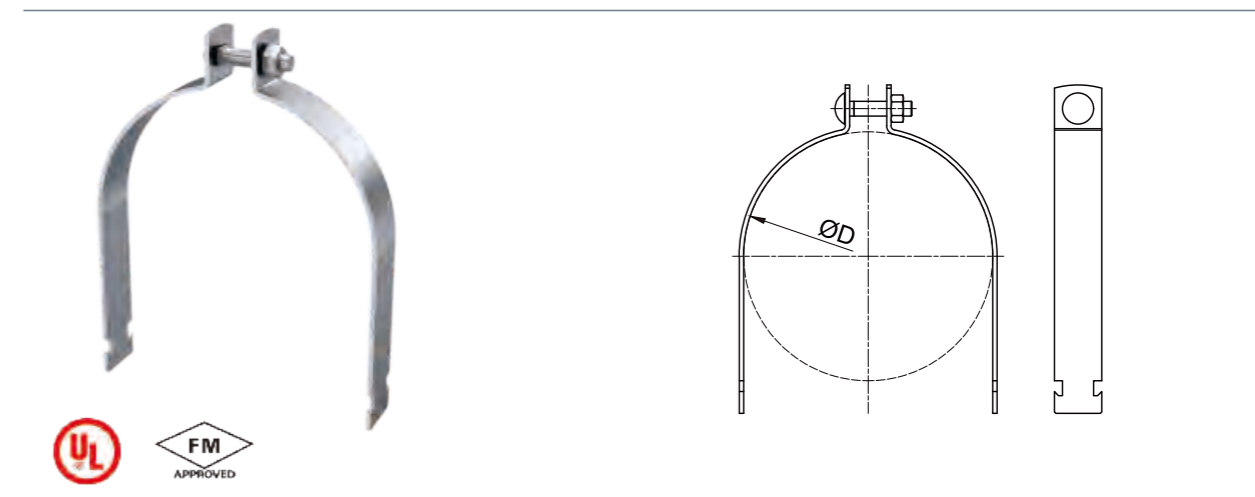
Heavy Duty Double Screw Bundle



- Heavy Duty Double Screw Bundle
- Material: Carbon Steel
- Finish: Standard – Electro Zinc Plated Option – Hot Dipped Galvanized
- UL Approved
- Comply with Federal Specification WW-H-171E and American Manufactures Standardization Society MSS SP-69&SP58

Product Name	Specification		ΦD	Rod Size		Bolt	
	Inch	DN		mm	Inch	mm	mm
Heavy Duty Double Screw Bundle	1/2"	15	21.3	3/8"-16UNC	M10	M8	5/16"-18UNC
	3/4"	20	26.9	3/8"-16UNC	M10	M8	5/16"-18UNC
	1"	25	33.7	3/8"-16UNC	M10	M8	5/16"-18UNC
	1-1/4"	32	42.4	3/8"-16UNC	M10	M8	5/16"-18UNC
	1-1/2"	40	48.3	3/8"-16UNC	M10	M8	5/16"-18UNC
	2"	50	60.3	3/8"-16UNC	M10	M10	3/8"-16UNC
	2-1/2"	65	76.1	3/8"-16UNC	M10	M10	3/8"-16UNC
	3"	80	88.9	3/8"-16UNC	M10	M10	3/8"-16UNC
	3-1/2"	90	101.6	3/8"-16UNC	M10	M10	3/8"-16UNC
	4"	100	114.3	3/8"-16UNC	M10	M10	3/8"-16UNC
	5"	125	139.7	1/2"-13UNC	M12	M10	3/8"-16UNC
	6"	150	168.3	1/2"-13UNC	M12	M12	1/2"-13UNC
	8"	200	219.1	1/2"-13UNC	M12	M12	1/2"-13UNC
10"	250	273	5/8"-11UNC	M16	M12	1/2"-13UNC	
12"	300	323.9	5/8"-11UNC	M16	M12	1/2"-13UNC	

P Type Pipe Bundle



- P Type Pipe Bundle
- Material: Carbon Steel
- Finish: Standard – Electro Zinc Plated Option – Hot Dipped Galvanized
- UL Approved
- Comply with Federal Specification WW-H-171E and American Manufactures Standardization Society MSS SP-69&SP58

Product Name	Specification		ΦD	Rod Size	
	Inch	DN		mm	mm
P Type Tube Bundle	1/2"	15	21.3	M8	5/16"-18UNC
	3/4"	20	26.9	M8	5/16"-18UNC
	1"	25	33.7	M8	5/16"-18UNC
	1-1/4"	32	42.4	M8	5/16"-18UNC
	1-1/2"	40	48.3	M8	5/16"-18UNC
	2"	50	60.3	M8	5/16"-18UNC
	2-1/2"	65	76.1	M10	3/8"-16UNC
	3"	80	88.9	M10	3/8"-16UNC
	3-1/2"	90	101.6	M10	3/8"-16UNC
	4"	100	114.3	M10	3/8"-16UNC
	5"	125	139.7	M10	3/8"-16UNC
	6"	150	168.3	M10	3/8"-16UNC
	8"	200	219.1	M10	3/8"-16UNC
10"	250	273	M10	3/8"-16UNC	
12"	300	324	M10	3/8"-16UNC	

Project Performance

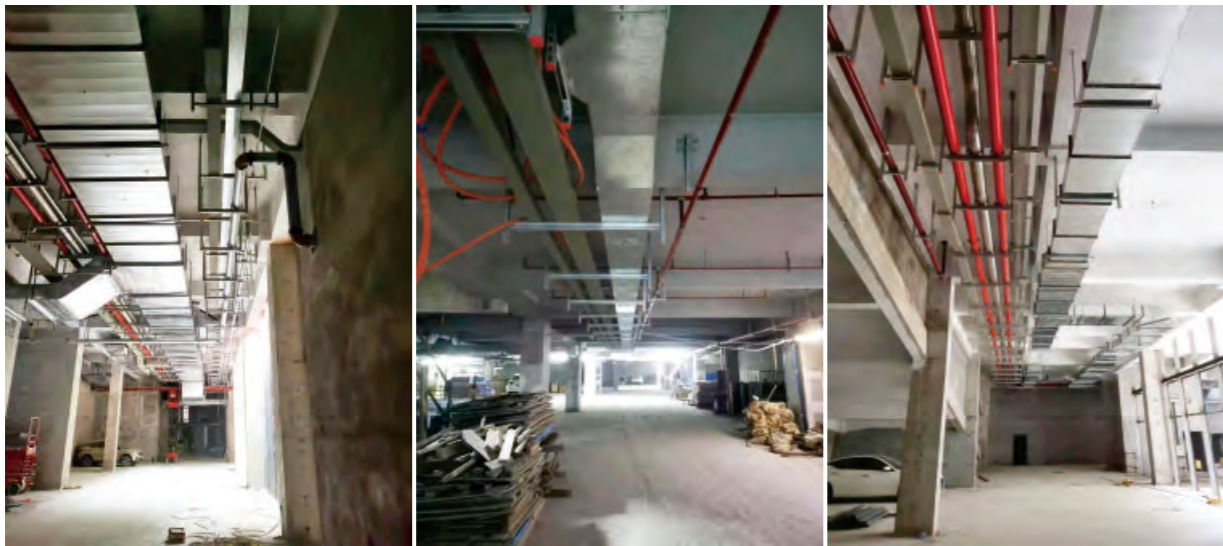
- Shenzhen Donghai International Center
- Tianjin Gaoyin 117 Residential Project



Shenzhen Donghai International Center



Tianjin Gaoyin 117 Residential Project



Project Performance

- Shenzhen Ping'an International Financial Center South Tower
- Shenzhen Huide Building
- Shenzhen Hengda Fashion Huigu Building
- Extension line of Shenzhen Metro line 5
- Extension line of Shenzhen Metro line 9
- Shenzhen Huaxing Optoelectronic Industrial Plant
- Shenzhen Xintong Financial Building
- Shenzhen Futian Free Trade Zone Experimental School
- Shenzhen Kaisa International Park
- Shenzhen Xin'an Culture and Sports Center
- Shenzhen Jiulongtai South District
- Shenzhen Futian Old Cadres Activity Center
- Shenzhen Linghang City Lingyi Building
- Shenzhen Linghang City Industrial Building
- Shenzhen Xingdu-Meishatiandi
- Shenzhen Airport New Town
- Taiwan, Shenzhen
- Shenzhen Huafeng new energy technology industrial building
- Shenzhen Minsheng Internet Building
- Shenzhen Hanbang Building
- Shenzhen Jiada Industrial Park
- Shenzhen Apollo Future Industrial City
- Comprehensive Management Gallery of the Starting Area of Shenzhen Airport New Town
- Guangzhou Ping'an Financial Center
- Guangzhou Metro Line 21
- Zengcheng Economic and Technological Development Zone, Guangzhou
- Mingzhuwan District, Nansha New District, Guangzhou
- The Second People's Hospital of Guangdong Province
- Guangdong Meizhou Communication Complex Building
- Zhongde Building, Foshan
- FAW-Volkswagen, Foshan
- Foshan Dongguan Intercity Railway
- Zhaoqing High Speed Railway East Station
- Zhaoqing Changli Avenue Underground Comprehensive Pipe Gallery
- Huizhou Huaxing Optoelectronic Industrial Plant Project
- Chongqing Yuwan High-Speed Railway, Dianjiang Station
- Chongqing Yunyang Future City
- Chongqing Rongchuang Chunhuishili
- Chongqing Rongchuang Tianfuyijia
- Chongqing Rongchuang Langyu Special Steel
- Chongqing Rongchuang Oulu Garden
- Chongqing Rongchuang Jinyu
- Chengdu Huayangnian-III
- Chengdu Huayangnian-Xiangmendi project
- Chengdu City Concert Hall
- Chengdu Tianfuyijia
- Chengdu Rongchuang Culture and Tourism School
- Chengdu Culture and Tourism City Phase V
- Sansheng Town, Chengdu
- Mianyang Hebian Town Settlement Building
- Mianyang Party's History and Archive Center Project
- Mianyang Anzhou Dongchen International School
- Mianyang Archive Center Project
- New Airport line of Beijing Rail Transit
- Staff Turnover Room of Beijing Urban Sub Center
- Beijing New Airport Non Main Base Aviation
- Industrial Plant of Urumqi Free Trade Zone
- Business Building of the 12th Division of Urumqi
- Urumqi 12 Division Senior High School
- Department of Children, Xiangxi Hospital, Hunan Province
- Xiangdong Hospital Affiliated to Hunan Normal University
- Hanshou People's Hospital of Hunan Province
- Hunan Fenghuang County General Hospital
- Yichang Star of Hubei Zhongjian
- Changsha Bantang Primary School
- Ezhou Citizen Center
- Ezhou Reemployment Service Center
- Dalian Country Garden Davos Square
- Guiyang North High Speed Railway Station
- Gui'an New District Urban Complex
- Gui'an Nanlong Xinyuan Hotel
- Jiangsu Qidong Evergrande Maritime Venice
- Zhejiang Yuyao Thousand Talents Plan
- Ningbo Yinzhou Culture and Art Center
- Ningbo Siming Middle School
- Ningbo New Materials (International) Innovation Center
- Testing Center of Yiwu Water Treatment Co., Ltd
- Anhui Bozhou Jian'an Culture Square
- Hefei Sipailou United building
- Fujian Mingqing exhibition hall
- Underground Comprehensive Pipe Gallery of East Maluanwan Road, Fujian Province
- Xiamen Mobile Center
- Jinan Xinyuan School
- Nanning Underground Comprehensive pipe Gallery PPP Project
- Underground Comprehensive Pipe Gallery of Liudong New District, Liuzhou
- Underground Comprehensive Pipe Gallery of Weihai Binhai New City
- Haidong Underground Comprehensive Pipe Gallery, Qinghai
- Haihua Island, Hainan, China
- Hangzhou Zhongxin Wafer Semiconductor
- Rongchuang Southwest Regional Group
- Underground Comprehensive Pipe Gallery of Tonghua City, Jilin Province